

OLPA1 General Area & Walkway Series

The OLPA1 series offers stunning lighting fixtures with versatile mounting options to elevate any space. Its elegant curves and seamless mounting assembly create a sophisticated look that blends with any decor. With a variety of mounting styles, OLPA1 series is the perfect choice to create a beautiful and functional environment.

With a wide range of light distributions and color temperature options, the OLPA1 is an excellent choice for pedestrian walkway and other general area lighting where style is a must. The OLPA1 can transform the appearance of outdoor spaces such as office building entryways, hospital and clinic walkways, university campus plazas or parkways creating a pleasant experience for occupants.

FEATURES

- Smooth, low profile design can be used in 8-20' height applications
- Easy installation, one latch to access power switch
- Die-cast low-copper-alloy aluminum
- Patented microstructure low-glare lens with multiple distribution patterns
- Standard Color Temperature: 3000K, 4000K, & 5000K
- CRI = 80 Standard
- Lumen output from 5,000-19,500
- Full Cutoff
- Versatile mounting options
- Operating Temperature = -40°C (-40°F) to 40°C (104°F)
- High-Performance LEDs
- Lumen Maintenance: L90 = >50,000 hours at up to 50°C ambient
- Long-life durable powder-coat finish available in 4 standard colors
- IP65 Rated (Wet-listed)

ELECTRICAL SPECIFICATIONS

- Power Input: 120-277V
- Power Factor: >0.95
- Efficacy: Up to 130 LPW
- Surge Suppression: 4kV Standard, Additional 10kV or 20kV Optional
- Power Selectable
- THD <15%
- Control Options: 0-10V Dimming; Bluetooth Motion/Ambient Sensors and Controls

TESTS & CERTIFICATIONS

- ETL (UL1598)
- CSA (C22.2 No. 250.0)
- ROHS Compliant
- Meets DLC 5.1 and DLC 5.1 Premium¹

WARRANTY

- 5-year Warranty (Parts or Replacement)
- Other Warranty options available. Please consult factory.

1. Not all versions of this product may be DLC Premium qualified or DLC qualified. Please check the DLC Qualified Products List to confirm which versions are qualified.





OLPA1 General Area & Walkway Series

Performance & Specifications

Distribution	Model/Wattage	Lumens - 80CRI (See note below)			Ratings		
		3000K	4000K	5000K	B	U	G
Type 2 Rectangular	OLPA1-040	5204	5375	5457	2	0	2
	OLPA1-060	7719	7976	8099	3	0	3
	OLPA1-080	9361	9683	9835	3	0	3
	OLPA1-100	13136	13565	13770	3	0	3
	OLPA1-120	15367	15882	16128	3	0	3
	OLPA1-150	18399	19042	19350	4	0	3
Type 3 ASymetrical	OLPA1-040	5127	5260	5325	1	0	1
	OLPA1-060	7603	7802	7900	2	0	1
	OLPA1-080	9256	9627	9675	2	0	1
	OLPA1-100	13136	13565	13770	2	0	2
	OLPA1-120	15367	15882	16128	2	0	2
	OLPA1-150	18399	19042	19350	3	0	2
Type 3 Rectangular	OLPA1-040	5794	5473	5313	2	0	2
	OLPA1-060	8603	8123	7882	3	0	3
	OLPA1-080	10475	10971	9653	3	0	3
	OLPA1-100	14611	13810	13409	3	0	3
	OLPA1-120	17137	16175	15694	3	0	3
	OLPA1-150	19649	18496	17918	4	0	3
Type 4 Rectangular	OLPA1-040	5191	5315	5377	2	0	2
	OLPA1-060	7699	7885	7978	3	0	3
	OLPA1-080	9361	9730	9773	3	0	3
	OLPA1-100	13104	13414	13569	3	0	3
	OLPA1-120	15328	15700	15886	3	0	3
	OLPA1-150	18207	18672	18905	4	0	3
Type 5 Concentrated	OLPA1-040	5957	6111	6187	2	0	1
	OLPA1-060	8849	9079	9193	3	0	1
	OLPA1-080	10802	11405	11292	3	0	1
	OLPA1-100	11265	11553	11695	3	0	1
	OLPA1-120	17627	18088	18316	3	0	2
	OLPA1-150	21081	21657	21942	4	0	2
Type 5 Wide	OLPA1-040	5397	5470	5486	2	0	1
	OLPA1-060	8008	8117	8143	3	0	1
	OLPA1-080	9742	10172	10190	3	0	1
	OLPA1-100	13619	13801	13843	3	0	1
	OLPA1-120	15946	16165	16215	3	0	1
	OLPA1-150	18221	18533	18543	4	0	2

Note: All lumen values above are based off of 80 CRI. Lumen values are obtained from 3rd party testing to IESNA LM-79 Standards. Use the following lumen multiplier to compare to 70CRI: 30K=1.078, 40K=1.034, 50K=1.036

Wattage	120V	208V	240V	277V	347V	480V	Wattage	120V	208V	240V	277V	347V	480V
40	.27	.15	.13	.12	.09	.06	100	.56	.32	.28	.25	.21	.15
60	.35	.20	.18	.15	.12	.09	120	.64	.37	.32	.28	.26	.19
80	.48	.27	.24	.21	.17	.13	150	.75	.43	.38	.32	.31	.23



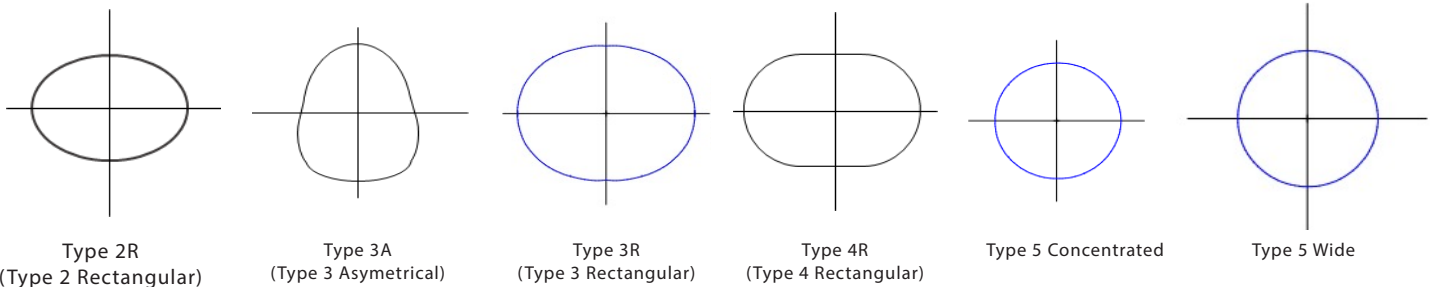
OLPA1 General Area & Walkway Series

Ordering Information

EXAMPLE: OLPA1-080SP-UNVL-40-5W-PS-NA-(Options)

OLPA1						
Series	Wattage	Voltage	CCT/CRI	Distribution	Mounting	Finish
OLPA1= Optec LED Parking & Area Light	080SP= 40-60-80W ¹ 150SP = 100-120-150W ²	UNVL = 120-277V UNVH = 347-480V	30 = 3000K (80 CRI) 40 = 4000K (80 CRI) 50 = 5000K (80CRI) SCT=Selectable Color Temp ⁴	2R=Type 2 Rectangular 3A= Type 3 Asymmetrical 3R = Type 3 Rectangular 4R= Type 4 Rectangular 5C = Type 5 Concentrate 5W = Type 5 Wide	PT=Pole Top Twin Arm Mount PS=Pole Side Mount Round ⁵	WH = White BZ = Dark Bronze BL = Black NA = Natural Aluminum CF = Custom Finish
OPTIONS		CONTROLS/SENSORS		ACCESSORIES		
SPD10 = 10kV Surge Suppressor SPD20 = 20kV Surge Suppressor EM = Emergency Battery Backup EMC=Emergency Battery Backup - Cold Weather		Controls: WCM = Wireless Fixture Controller, Mesh Network Sensors: OS= Ambient/Occupancy Sensor, DIP switch controllable ³ TW=Twist Lock Photocell RCB7 = Receptacle Base 7 Pin ZGBS = Zhaga Receptacle Base BT =Ambient/ Occupancy Sensor, Bluetooth ³ WMOS = Wireless Mesh Occupancy Sensor/controller, Bluetooth ³ HBL = High Bay Lens, 20-40ft Mounting Height		SQ=Square Mount Pole Adapter ⁶ WG = Wire Guard HS = House Side Shield WAM=Wall Mount Bracket ⁷		
Ordering Footnotes: 1. 080SP=Selectable Power 40W, 60W, 80W; factory set upon request 2. 150SP=Selectable Power 100W, 120W, 150W; factory set upon request 3. Includes Low Bay Lens, 8-20' mounting height 4. SCT=Selectable Color Temperatures 4000K, 5000K 5. PS is standard for round poles. To fit square poles order SQ Square Mount Pole Adapter listed under accessories. 6. SQ=use this adaptor for square poles and wall mounts 7. WAM=Order with SQ square mount pole adaptor						

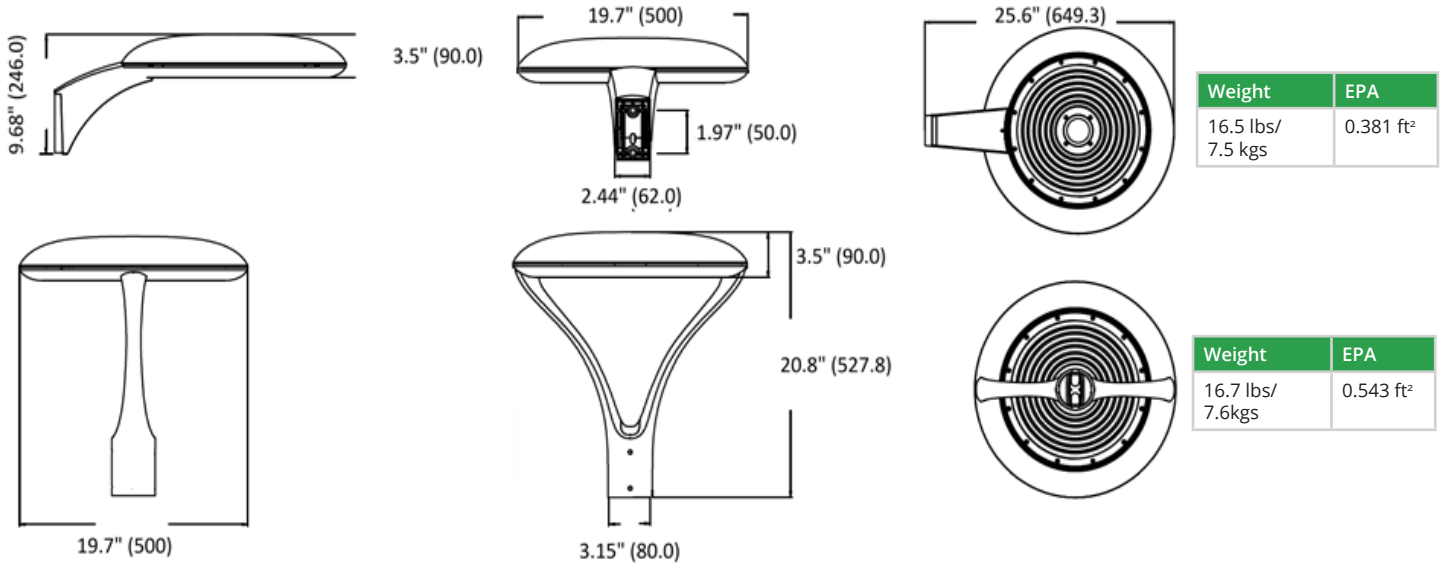
PHOTOMETRIC PERFORMANCE





OLPA1 General Area & Walkway Series

WEIGHTS & DIMENSIONS



Post Top Twin Arm Mount



Post Top Twin Arm Mount w/House Side



Pole Side Mount Round



Wall Mount Bracket with Square Mount Pole Adaptor



Wire Guard