

Floodlight Series (Extra Large)

The OLFX Series Floodlight is a stylish aerodynamic luminaire designed to complement the Optec LED Lighting family of architectural outdoor products. Excellent optical performance in multiple distributions is achieved via a COB LED array and a precision-engineered reflector. LED life is assured through efficient thermal coupling and dissipation via its durable, pressure die-cast, low-copper alloy, aluminum housing. Engineered to last, all gaskets are anti-UV, anti-aging with no harmful out-gassing. The OLFX floodlight comes standard with a 2" Slipfitter, 0-10V dimming and 10kV surge suppression. Alternate mounting selections include trunnion bracket, tenon adapter, adjustable pole arm and wide yoke. Each luminaire is also available with a number of options including multiple color temperatures and finishes, photocell, occupancy sensor, wireguard, and polycarbonate lens. All standard finishes are electrostatically applied and are available with an optional anodized base finish for use in natatorium or marine environments. The OLFX floodlight is backed by Optec LED Lighting's 10-year warranty.



FEATURES

- Color Temperatures: 3000K, 3500K, 4000K, 5000K
- CRI: 70
- Lumen Maintenance: L70=50,000 at 25 °C
- Operating Temperature Range: -40 °C to 40 °C
- Durable All Aluminum Pressure Die Cast Housing
- Long Life Durable Powder Coat Finish (Custom colors are available upon request.)
- IP65 Rated (wet listed)
- Mounting: 2" Slipfitter mount standard. Optional trunnion mount, tenon adapter, adjustable pole arm and wide yoke options available.

ELECTRICAL SPECIFICATIONS

- Two Universal Voltage Driver Options: 120-277V and 347-480V
- Power Factor > 0.90
- THD < 0.85
- Control Options: 0-10V Dimming Standard (Photocell Optional)

TESTS & CERTIFICATIONS

- ETL (to UL1598 standards)
- RoHS Compliant
- Design Lights Consortium (Premium)



CITIZEN®



WARRANTY

- 5-Year Warranty (Parts or Replacement)

PERFORMANCE SPECIFICATIONS

Distribution	Model / Wattage	Lumens				Max Candela			
		3000K	3500K	4000K	5000K	3000K	3500K	4000K	5000K
3 x 3	OLFLX-200	17,297	18,058	18,723	19,007	76,617	79,987	82,934	84,195
	OLFLX-240	20,756	21,669	22,647	22,809	93,940	95,985	99,521	101,033
	OLFLX-300	25,945	27,086	28,084	28,511	114,926	124,401	124,401	126,292
5 x 5	OLFLX-200	23,098	24,114	25,007	25,382	27,898	29,125	30,204	30,657
	OLFLX-240	27,718	28,937	30,009	30,459	33,478	34,950	36,245	36,789
	OLFLX-300	34,647	36,171	37,511	38,074	41,847	43,688	45,306	45,986
7 x 6	OLFLX-200	24,963	26,061	27,027	27,432	12,121	12,654	13,123	13,320
	OLFLX-240	26,921	28,105	28,662	29,583	13,049	13,623	13,886	14,340
	OLFLX-300	36,134	37,723	39,120	39,707	17,612	18,387	19,068	19,354

Voltage (V)	Current (A)		
	200	240	300
120	1.67	2.00	2.50
208	0.96	1.15	1.44
240	0.83	1.00	1.25
277	0.72	0.87	1.08
347	0.58	0.69	0.86
480	0.42	0.50	0.63



Floodlight Series (Extra Large)

ORDERING INFORMATION

EXAMPLE: OLFLX-300-UNVL-50-3X3-YK-BZ-WG

SERIES	WATTAGE	VOLTAGE	COLOR TEMP	DISTRIBUTION	MOUNT	FINISH	CONTROL / OPTIONS
OLFLX = Optec LED Floodlight Extra Large	200 = 200W 240 = 240W 300 = 300W	UNVL = 120-277V UNVH = 347-480V	30 = 3000K 35 = 3500K 40 = 4000K 50 = 5000K	3 X 3 = Spot 5 X 5 = Flood 7 X 6 = Horizontal Flood	AK = Adjustable Knuckle ¹ TR = Trunnion YK = Wide Yoke	ABL = Anodized Base Layer ³ BZ = Dark Bronze WH = White NA = Natural Aluminum BL = Black CC = Custom Color	PR3 = Photocell Receptacle for 3-pin Photocell PR5 = Photocell Receptacle for 5-pin Photocell PR7 = Photocell Receptacle for 7-pin Photocell UV = Upper Visor ² LV = Lower Visor ² PL = Polycarbonate Lens WG = Wireguard TLSC = Twist Lock Shorting Cap

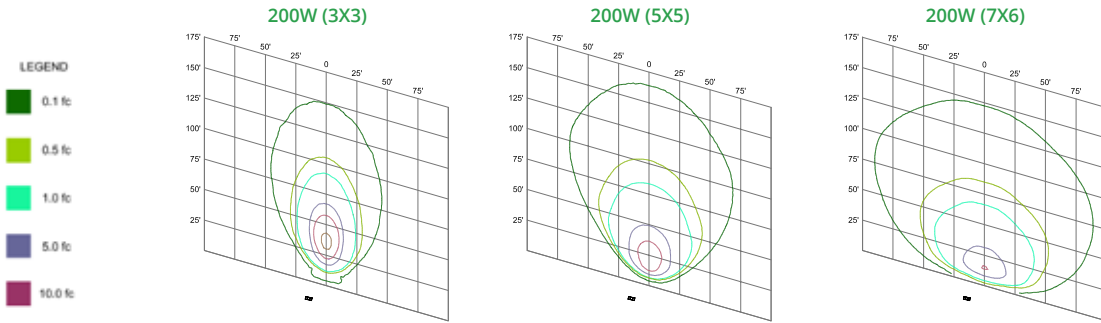
¹ AK = 2" Adjustable Knuckle/Slipfitter

² Upper Visor and Lower Visor can be specified together.

³ For use in Natatorium and salt-air environments. Must be specified with one standard or custom finish color.

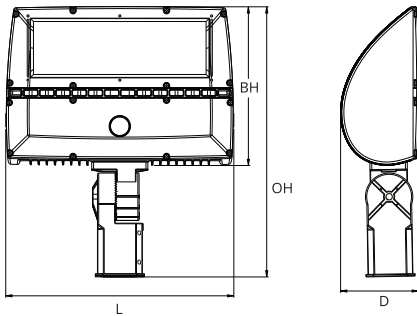
PHOTOMETRIC PERFORMANCE

Isofootcandle plots = OLFLX 200W model in 5000K CCT @ 15' setback. Distances are in units of mounting height.



Published luminaire photometric testing performed to IESNA-79-08 standards

DIMENSIONS, WEIGHTS & MOUNTING



Wattage	200W	240W	300W
L = Length (inches / mm)	18.82 / 478.0	18.82 / 478.0	18.82 / 478.0
D = Depth (inches / mm)	5.56 / 141.3	5.56 / 141.3	5.56 / 141.3
BH = Body Height (inches / mm)	13.34 / 338.8	13.34 / 338.8	13.34 / 338.8
OH = Overall Height (inches / mm)	20.43 / 518.8	20.43 / 518.8	20.43 / 518.8
Weight (lbs / kg)	25.6 / 11.6	27.1 / 12.3	28.4 / 12.9



Configuration	Effective Projected Area (EPA) in ft ²
Wattage	
200	1.95
240	1.95
300	1.95

