

OLPA1 Parking / Area Light

The OLPA1 series offers stunning lighting fixtures with versatile mounting options to elevate any space. Its elegant curves and seamless mounting assembly create a sophisticated look that blends with any decor. With a variety of mounting styles, OLPA1 series is the perfect choice to create a beautiful and functional environment.

Parking garages demand versatile solutions and range of distributions tailored to specific needs. The OLPA1 provides three distributions which are ideal for typical parking garage and canopy applications.

Additionally, the OLPA1 has various mounting options that will bring uniformity in light and style to any project. Use the OLPA1 with the pole top or arm mount as the top deck or walkway lighting solution.



FEATURES

- Smooth, low profile design can be used in 8-20' height applications
- One latch, tool free for easy installation
- Die-cast low-copper-alloy aluminum
- Patented microstructure low-glare lens with three distribution patterns
- Color Temperature: 3000K, 4000K, & 5000K
- CRI = 80 Standard
- Lumen output from 5,000-19,500
- Uplight Optional (Approximately 800 lumens)
- Full Cutoff
- Versatile mounting options
- Operating Temperature = -40°C (-40°F) to 40°C (104°F)
- High-Performance LEDs
- Lumen Maintenance: L90 = >60,000 hours at up to 50°C ambient
- Long-life durable powder-coat finish available in 4 standard colors
- IP66 Rated (Wet-listed)

ELECTRICAL SPECIFICATIONS

- Power Input: 120-277V
- Power Factor: >0.95
- Efficacy: Up to 130 LPW
- Surge Suppression: 4kV Standard, Additional 10kV Optional
- Power Selectable
- THD <15%
- Control Options: 0-10V Dimming

TESTS & CERTIFICATIONS

- ETL (UL1598)
- CSA (C22.2 No. 250.0)
- ROHS Compliant
- Meets DLC 5.1 and DLC 5.1 Premium¹

1. Not all versions of this product may be DLC Premium qualified or DLC qualified. Please check the DLC Qualified Products List to confirm which versions are qualified.

WARRANTY

- 5-year Warranty (Parts or Replacement)
- Other Warranty options available. Please consult factory.





OLPA1 Parking / Area Light

ORDERING INFORMATION

EXAMPLE: OLPA1-080SP-UNVL-40-5W-SM-NA (Options)

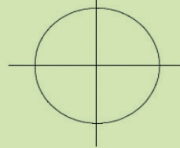
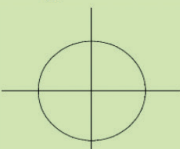
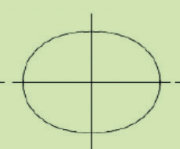
SERIES	WATTAGE	VOLTAGE	COLOR TEMP	DISTRIBUTION	MOUNTING	FINISH
OLPA1 = Optec LED Parking & Area Light	080SP= 40-60-80W ¹ 150SP = 100-120-150W ²	UNVL = 120-277V UNVH = 347-480V	30 = 3000K (80 CRI) 40 = 4000K (80 CRI) 50 = 5000K (80CRI) SCT=Selectable Color Temp ⁶	5W = Type 5 Wide 5C = Type 5 Concentrate 5R = Type 5 Rectangular	SM= Surface Mount PDXX = Pendant Mount ³ TR = Trunnion Mount WM = Wall Mount PT = Pole Top Twin Arm Mount PS = Pole Side Mount	WH = White BZ = Dark Bronze BL = Black NA = Natural Aluminum CF = Custom Finish

OPTIONS	CONTROLS/SENSORS (Factory Installed)	ACCESSORIES
U8 = Uplight (800 Lumens) ⁴ SPD10 = 10kV Surge Suppressor SPD20 = 20kV Surge Suppressor EM = Emergency Battery Backup PL3 = Power Leads (3' Length/18 AWG) PL6= Power Leads (6' Length/18AWG) PLXX = Power Leads (18 AWG, Unit of Measure in Feet) DMLXX = 0-10V Dimming Leads (18 AWG, Unit of Measure in Feet)	Controls: WCM = Wireless Fixture Controller, Mesh Network Sensors: OS= Ambient/Occupancy Sensor, DIP switch controllable ⁵ TW=Twist Lock Photocell RCB7 = Receptacle Base 7 Pin ZGBS = Zhaga Receptacle Base BT =Ambient/ Occupancy Sensor, Bluetooth ⁵ WMOS = Wireless Mesh Occupancy Sensor/controller, Bluetooth ⁵	WG = Wire Guard BG = Bird Guard HS = House Side Shield PSKRD = Pendent Swivel Kit, Round

Ordering Footnotes:

- 080SP=Selectable Power 40W, 60W, 80W
- 150SP=Selectable Power 100W, 120W, 150W
- PDXX = Pendant Length (Please indicate length of pendent in inches.) Pendent standard diameter is 1/2"
- U8 option adds an additional 8.0W. U8 is available for pendent mount only.
- Includes Low Bay Lens, 8-20' mounting height
- SCT=Selectable Color Temperatures 4000K, 5000K

WATTAGE	120v	208v	240v	277v
40	.27	.15	.13	.12
60	.35	.20	.18	.15
80	.48	.27	.24	.21
100	.56	.32	.28	.25
120	.64	.37	.32	.28
150	.75	.43	.38	.32

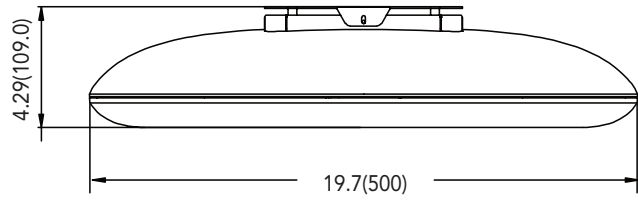
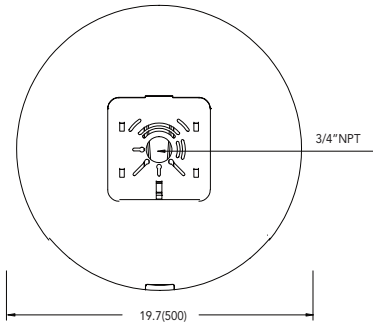
Distribution	Model/Wattage	Lumens 80 CRI (See note below)			
		3000k	3500k	4000k	5000k
Type 5 Wide 	OLPA1-040	4978	5231	5706	5728
	OLPA1-060	7391	7759	7862	7867
	OLPA1-080	9614	10121	10157	10153
	OLPA1-100	12703	13107	13281	13103
	OLPA1-120	14944	15444	15685	15507
	OLPA1-150	18081	18615	19414	19043
Type 5 Concentrated 	OLPA1-040	4720	4770	4840	4920
	OLPA1-060	7080	7155	7260	7380
	OLPA1-080	9440	9545	9680	9840
	OLPA1-100	11800	11945	12100	12300
	OLPA1-120	14160	14330	14520	14760
	OLPA1-150	17700	17920	18150	18450
Type 5 Rectangular Wide 	OLPA1-040	5292	5547	6069	6078
	OLPA1-060	7849	8224	8378	8386
	OLPA1-080	10171	10672	10822	10734
	OLPA1-100	12752	13288	13079	13083
	OLPA1-120	14978	15626	15580	15532
	OLPA1-150	18088	18796	19430	19245

Note: All lumen values above are based off of 80 CRI. Lumen values are obtained from 3rd party testing to IESNA LM-79 Standards. Use the following lumen multiplier to compare to 70CRI: 30K=1.078, 35K=1.058, 40K=1.034, 50K=1.036



OLPA1 Parking / Area Light

WEIGHTS & DIMENSIONS



Weight
13.2 LBS/6KG



Bird Guard



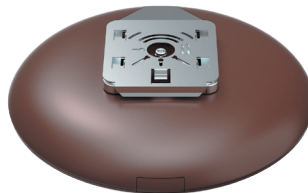
Pendent Mount/Uplight Module



Trunnion Mount



WireGuard



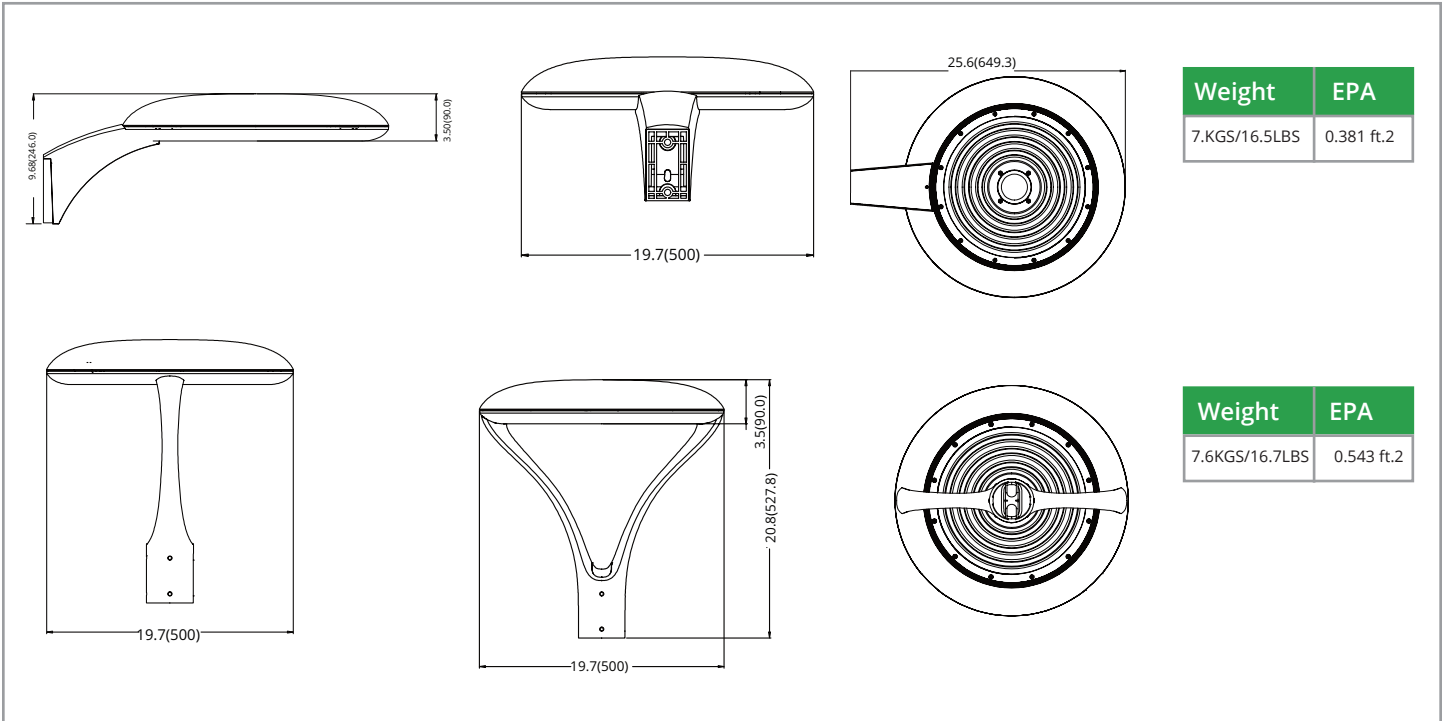
Surface Mount



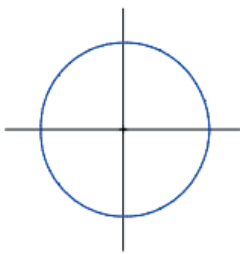
House Shield



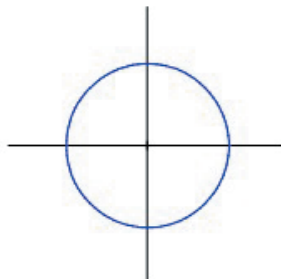
OLPA1 Parking / Area Light



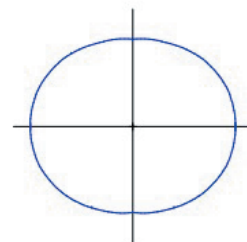
PHOTOMETRIC PERFORMANCE



Type 5 Wide



Type 5 Concentrated



Type 5R
(Type 5 Rectangular)