

## Area Series (Small)

The OLA1 Small Series is a stylish aerodynamic area luminaire that fits within today's accepted design form factors. Excellent optical performance is achieved with Nichia brand LED's and engineered discrete optics. LED life is assured through efficient thermal coupling and dissipation via a durable, pressure die cast, low-copper alloy, aluminum housing. Engineered to last, all gaskets are anti-UV, anti-aging with no harmful out-gassing. All models come standard with a universal pole mount bracket or an optional wall surface box. Luminaires are available with a number of options including alternate CCT choices, finishes, photocells and occupancy sensors.

### FEATURES

- LED Brand: Nichia
- Color Temperatures: 4000K & 5000K (Other CCT's are available upon request)
- CRI: 70
- Lumen Maintenance: L70 = 50,000 hours
- Full Cutoff (meets IDA criteria)
- Operating Temperature: -40°C (-40°F) to 40°C (104°F)
- Durable All Aluminum Pressure Die Cast Housing
- Powder Coat Finish
- Salt Fog Tested to 2500 hours / per ASTM B117
- IP65 Rated (wet listed / NEMA IEC 60529)
- Mounting: Universal Round or Square Pole, Wall Surface Box

### ELECTRICAL SPECIFICATIONS

- Power Input: 120-277V (347-480V Optional)
- Power Factor: > 0.95
- THD: < 15%
- Surge Protection: 20 kV
- Control Options: 0-10V Dimming standard (Photocell and Occupancy Sensors Optional)

### TESTS & CERTIFICATIONS

- ETL (UL 1598, UL 8750, NEMA C82.77)
- CSA (C22.2 No.250.0)
- RoHS Compliant
- Design Lights Consortium (Premium)
- 3G Vibration tested (ANSI C136.31)



### WARRANTY

- Up to 10-Year Warranty (parts or replacement)

### PERFORMANCE SPECIFICATIONS

Distribution	Model / Wattage	Lumens		Bug Rating		
		4000K	5000K	B	U	G
Type 2	OLA1-080	10,801	10,960	3 *	0	1
	OLA1-120	15,840	16,200	3 *	0	2
	OLA1-150	19,800	20,250	3 *	0	2
Type 3	OLA1-080	11,600	11,760	2 *	0	2
	OLA1-120	16,561	16,920	3 *	0	2
	OLA1-150	20,549	21,000	3 *	0	2
Type 3L	OLA1-080	10,799	10,960	3 *	0	3
	OLA1-120	15,960	16,199	3 *	0	3
	OLA1-150	19,800	20,249	4 *	0	3
Type 3R	OLA1-080	10,799	10,960	3 *	0	3
	OLA1-120	15,960	16,198	3 *	0	3
	OLA1-150	19,800	20,250	4 *	0	3
Type 4	OLA1-080	10,596	10,794	2 *	0	2
	OLA1-120	15,472	15,712	2 *	0	2
	OLA1-150	19,046	19,349	3 *	0	2
Type 4L	OLA1-080	10,800	10,960	3 *	0	3
	OLA1-120	16,080	16,320	3 *	0	3
	OLA1-150	19,800	20,250	4 *	0	4
Type 4R	OLA1-080	10,800	10,960	3 *	0	3
	OLA1-120	16,080	16,320	3 *	0	3
	OLA1-150	19,781	20,250	4 *	0	4
Type 5	OLA1-080	10,032	10,185	4	0	3
	OLA1-120	15,049	15,278	4	0	3
	OLA1-150	18,811	19,097	5	0	4

\* Backlight = 1 when BC (Backlight Control System) is applied.

Voltage (V)	Current (A)		
	80W	120W	150W
120	0.67	1.00	1.25
208	0.38	0.58	0.72
240	0.33	0.50	0.63
277	0.29	0.43	0.54
347	0.23	0.35	0.43
480	0.17	0.25	0.31



# Area Series (Small)

## ORDERING INFORMATION

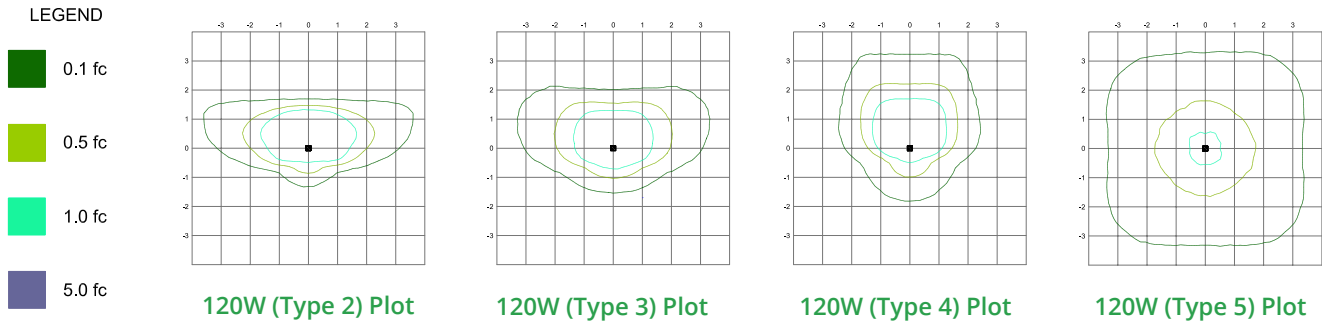
**EXAMPLE:** OLA1-120-UNVL-50-4-SQ-BZ-PR-TL12

SERIES	WATTAGE	VOLTAGE	COLOR TEMP	DISTRIBUTION	MOUNTING	FINISH	CONTROLS / OPTIONS
OLA1 = Optec LED Area Light	080 = 80W 120 = 120W 150 = 150W	UNVL = 120-277V UNVH = 347-480V	30 = 3000K 40 = 4000K 50 = 5000K	2 = Type 2 3 = Type 3 3L = Type 3 Left 3R = Type 3 Right 4 = Type 4 4L = Type 4 Left 4R = Type 4 Right 5 = Type 5	SQ = Square Pole <sup>1</sup> RD = Round Pole <sup>1</sup> WM = Wall Mount <sup>1,2</sup> TA = Tenon Adapter <sup>1</sup> LK = Leveling Kit <sup>3</sup>	WH = White BZ = Dark Bronze BL = Black NA = Natural Aluminum GM = Graphic Metallic CF = Custom Finish	OSWS = Occupancy Sensor (WattStopper) PR3 = Photocell Receptacle 3-pin PR5 = Photocell Receptacle 5-pin PR7 = Photocell Receptacle 7-pin WCS = Wireless Control (Synapse) <sup>5</sup> BCS = Backlight Control System SF = Single Fuse (120V, 277V, 347V) DF = Double Fuse (220V, 240V, 480V) TLSC = Twist Lock Shorting Cap 924 = UL924 Relay TL12 = Twist Lock Photocell 120V <sup>6</sup> TL24 = Twist Lock Photocell 240V <sup>6</sup> TL27 = Twist Lock Photocell 277V <sup>6</sup> TL28 = Twist Lock Photocell 208V <sup>6</sup> TL34 = Twist Lock Photocell 347V <sup>6</sup> TL48 = Twist Lock Photocell 480V <sup>6</sup>

1 - For details, reference accessory data sheet.  
2 - WM option requires SQ pole mount bracket (ordering example: SQ-WM)  
3 - Leveling kit adjusts up by 5 degrees or down by 5 degrees  
4 - OSWS = For Wattstopper PIR sensor information and options contact factory  
5 - WCS = for Synapse wireless controls information and options contact factory for details  
6 - Photocell default = Fail in "ON" mode (unless otherwise specified)

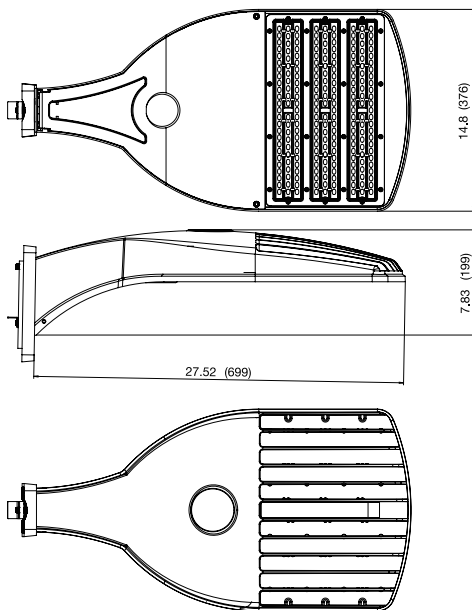
## PHOTOMETRIC PERFORMANCE

Isofootcandle plots = OLA1 120W model in 5000K CCT @ 30' mounting height. Distances are in units of mounting height.



Published luminaire photometric testing performed to IESNA-79-08 standards

## DIMENSIONS, WEIGHTS & EPA



Wattage	80W	120W	150W
Length (inches / mm)	27.52 / 699	27.52 / 699	27.52 / 699
Width (inches / mm)	14.8 / 376	14.8 / 376	14.8 / 376
Height (inches / mm)	7.83 / 199	7.83 / 199	7.83 / 199
Weight (lbs / kg)	19.4 / 8.8	19.4 / 8.9	20 / 9.1

Wattage	Effective Projected Area (EPA) in ft <sup>2</sup>				
80	0.96	1.92	1.81	2.77	3.63
120	0.96	1.92	1.81	2.77	3.63
150	0.96	1.92	1.81	2.77	3.63