

Floodlight Series (Extra Large)

The OLFX Series Floodlight is a stylish aerodynamic luminaire designed to complement the Optec LED Lighting family of architectural outdoor products. Excellent optical performance in multiple distributions is achieved via a COB LED array and a precision-engineered reflector. LED life is assured through efficient thermal coupling and dissipation via its durable, pressure die-cast, low-copper alloy, aluminum housing. Engineered to last, all gaskets are anti-UV, anti-aging with no harmful out-gassing. The OLFX floodlight comes standard with a 2" Slipfitter, 0-10V dimming and 10kV surge suppression. Alternate mounting selections include trunnion bracket, tenon adapter, and wide yoke. Each luminaire is also available with a number of options including multiple color temperatures and finishes, photocell, occupancy sensor, wireguard, and polycarbonate lens. All standard finishes are electrostatically applied and are available with an optional anodized base finish for use in natatorium or marine environments. The OLFX floodlight is backed by Optec LED Lighting's 5-year warranty.



FEATURES

- Color Temperatures: 4000K and 5000K
- CRI: 70
- Lumen Maintenance: L70=50,000 at 25 °C
- Operating Temperature Range: -40 °C to 40 °C
- Durable All Aluminum Pressure Die Cast Housing
- Long Life Durable Powder Coat Finish (Custom colors are available upon request.)
- IP65 Rated (wet listed)
- Mounting: 2" Slipfitter mount standard. Optional trunnion mount, tenon adapter, adjustable pole arm and wide yoke options available.

ELECTRICAL SPECIFICATIONS

- Two Universal Voltage Driver Options: 120-277V and 347-480V
- Power Factor > 0.90
- THD < 0.85
- Control Options: 0-10V Dimming Standard (Photocell Optional)

TESTS & CERTIFICATIONS

- ETL (to UL1598 standards)
- RoHS Compliant
- Design Lights Consortium (Premium)



CITIZEN®



WARRANTY

- Up to 10-Year Warranty (Parts or Replacement)

PERFORMANCE SPECIFICATIONS

Distribution	Model / Wattage	Lumens				Max Candela			
		3000K	3500K	4000K	5000K	3000K	3500K	4000K	5000K
3 x 3	OLFLX-200	17,297	18058	21,536	21,976	76617	79987	110,180	113,588
	OLFLX-240	20,756	21669	25,844	26,371	93940	95985	132,216	136,306
5 x 5	OLFLX-200	23,098	24114	23,107	23,578	27898	29125	27,375	28,221
	OLFLX-240	27,728	28937	27,729	28,295	33478	34950	32,851	33,867
7 x 6	OLFLX-200	24,963	26061	26,833	27,432	12121	12654	13,319	13,319
	OLFLX-240	26,921	28105	28,662	29,583	13049	13623	13,885	14,339

Voltage (V)	Current (A)	
	200	240
120	1.67	2.00
208	0.96	1.15
240	0.83	1.00
277	0.72	0.87
347	0.58	0.69
480	0.42	0.50



Floodlight Series (Extra Large)

ORDERING INFORMATION

EXAMPLE: OLFLX-240-UNV-50-3X3-YK-BZ-WG

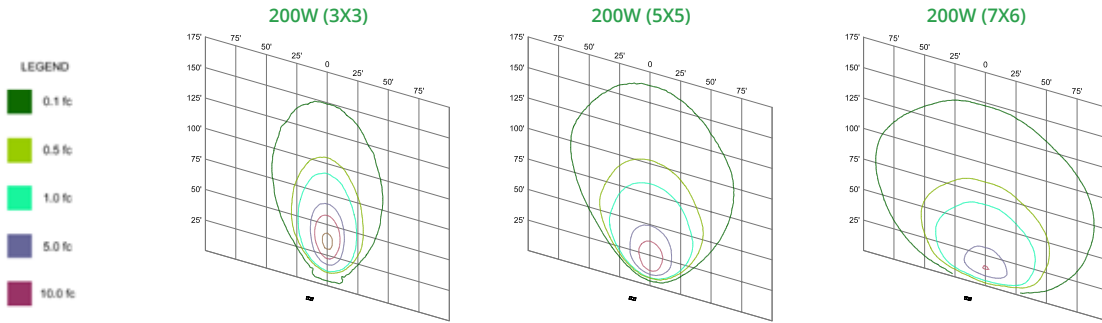
SERIES	WATTAGE	VOLTAGE	COLOR TEMP	DISTRIBUTION	MOUNT	FINISH	CONTROL / OPTIONS
--------	---------	---------	------------	--------------	-------	--------	-------------------

OLFLX = Optec LED Floodlight Extra Large	200 = 200W 240 = 240W	UNV = 120-277V UNVH = 347V-480V	30 = 3000K 35 = 3500K 40 = 4000K 50 = 5000K	3 X 3 = Spot 5 X 5 = Flood 7 X 6 = Horizontal Flood	AK = Adjustable Knuckle ¹ TR = Trunnion	BZ = Dark Bronze WH = White NA = Natural Aluminum BL = Black CC = Custom Color	AB = Anodized Basecoat ⁴ PR3 = Photocell Receptacle for 3-pin Photocell PR5 = Photocell Receptacle for 5-pin Photocell UV = Upper Visor ³ LV = Lower Visor ³ PL = Polycarbonate Lens WG = Wireguard TL12 = Twist Lock Photocell 120V ² TL28 = Twist Lock Photocell 208V ² TL24 = Twist Lock Photocell 240V ² TL27 = Twist Lock Photocell 277V ² TL34 = Twist Lock Photocell 347V ² TL48 = Twist Lock Photocell 480V ² TLSC = Twist Lock Shorting Cap
--	--------------------------	------------------------------------	--	---	---	--	--

¹ AK = 2" Adjustable Knuckle/Slipfitter
² Photocell Default = Fail in "ON" Mode (unless otherwise specified).
³ Upper Visor and Lower Visor can be specified together.
⁴ For use in Natatorium and salt-air environments

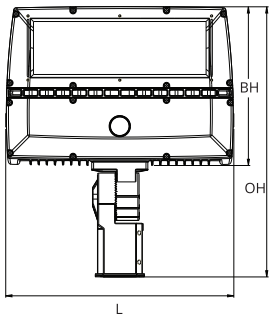
PHOTOMETRIC PERFORMANCE

Isofootcandle plots = OLFLX 200W model in 5000K CCT @ 15' setback. Distances are in units of mounting height.



Published luminaire photometric testing performed to IESNA-79-08 standards

DIMENSIONS, WEIGHTS & MOUNTING



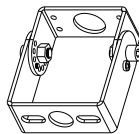
Wattage	200W	240W
L = Length (inches / mm)	18.82 / 478.0	18.82 / 478.0
D = Depth (inches / mm)	5.56 / 141.3	5.56 / 141.3
BH = Body Height (inches / mm)	13.34 / 338.8	13.34 / 338.8
OH = Overall Height (inches / mm)	20.43 / 518.8	20.43 / 518.8
Weight (lbs / kg)	25.6 / 11.6	27.1 / 12.3



Effective Projected Area (EPA) in ft ²	
Configuration	■
Wattage	
200	1.00
240	1.00



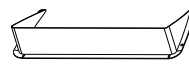
2" Adjustable Knuckle / Slipfitter



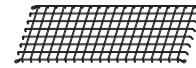
Trunnion



Upper Visor



Lower Visor



Wireguard