

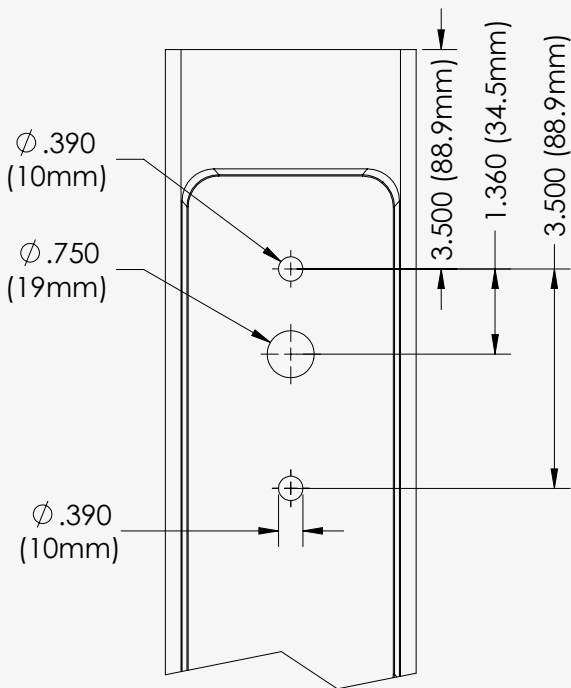
Universal Mounting Bracket for Square Poles

Area Series (Small and Large)

The OLA1 Area Series Universal Mounting Bracket for Square Poles is a single-piece pressure die-cast aluminum bracket for square pole-mount applications. The drill specifications are the same for the Small and Large sizes of the OLA1 Area Series. Its durable powder-coat finish is available in standard and custom colors. The OLA1 Area Series Universal Mounting Bracket for Square Poles ships complete with fastener kit.



DRILLING DIAGRAM (NOT TO SCALE)



ISOMETRIC, SECTION AND PLAN VIEWS (NOT TO SCALE)

