

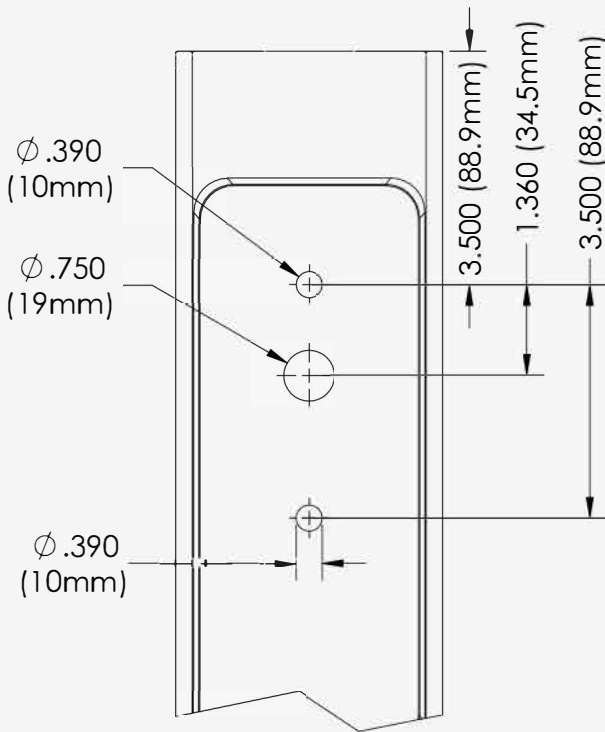
Universal Mounting Bracket for Round Poles

Area Series (Small and Large)

The OLA1 Area Series Universal Mounting Bracket for Round Poles is a single-piece pressure die-cast aluminum bracket for round pole-mount applications. The drill specifications are the same for the Small and Large sizes OLA1 Area Series. The bracket's durable powder coat finish is available in standard and custom colors. The OLA1 Area Series Universal Mounting Bracket for Round Poles ships complete with fastener kit.



DRILLING DIAGRAM (NOT TO SCALE)



ISOMETRIC, SECTION AND PLAN VIEWS (NOT TO SCALE)

