

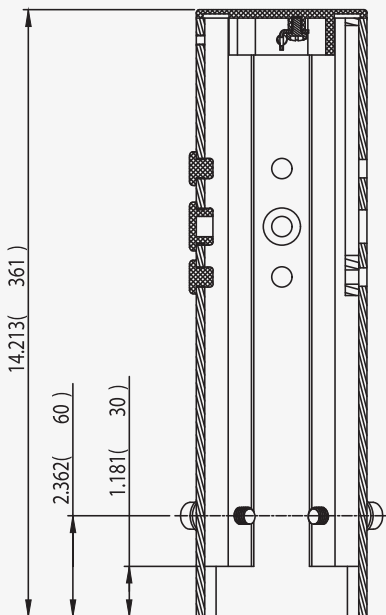
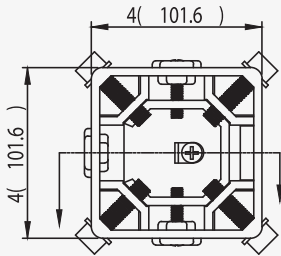
Tenon Adapter for Pole and Post Tops

Area Series (Small and Large)

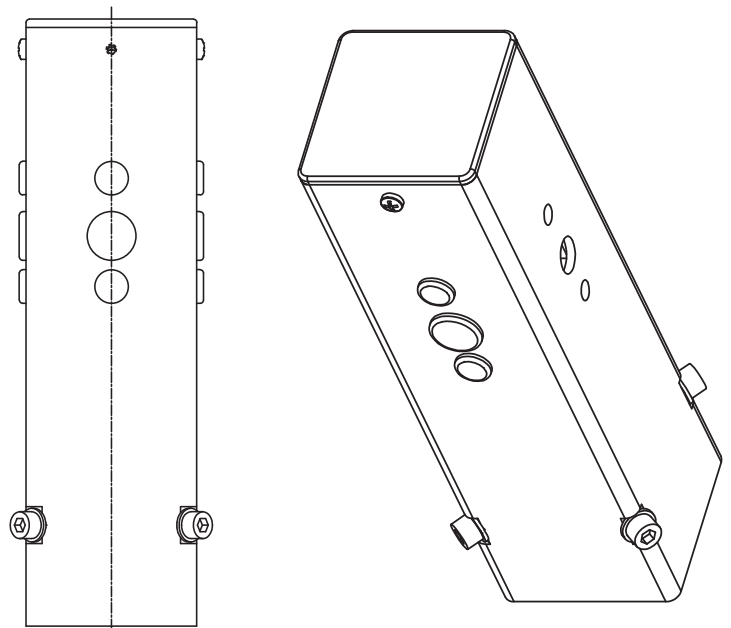
The OLA1 Area Series Tenon Adapter for pole and post top applications is a single-piece extruded aluminum accessory suitable for use on round or square poles. Threaded stainless steel allen head bolts located at each of four corners to secure the OLA1-TA to a 2 - 2/3" OD top tenon for the addition of arm-mounted OLA1 Series luminaires in single, twin, triple or quad configurations. The OLA1-TA accessory's durable powdercoat finish is available in the four standard colors. The adapter comes complete with a top cap and plugs for unused mounting and electrical holes.



SECTION VIEWS (NOT TO SCALE)



ISOMETRIC AND SIDE VIEWS (NOT TO SCALE)



INSTALLATION TOOLS NEEDED

- 8mm Allen wrench for mounting bolts
- Phillips Head driver for top cover machine screws