

LED Wallpack / Traditional Style

The OLTWP series combines the rugged look of a traditional style HID wallpack with a long life LED light engine comprised of Lumileds 3030 2D LED's. The front view tempered glass lens is 95% efficient minimizing light loss. While this lens type typically allows for emittance of light above the horizontal plane these LED's are carefully aimed to minimize up light making this luminaire IDA compliant. Housings are durable, consisting of pressure die cast, low-copper alloy, aluminum and utilize stainless steel fasteners inside and out. Engineered to last, all silicone gaskets are anti-UV, anti-aging with no harmful out-gassing. Luminaires are available with a number of options including alternate CCT choices, color finishes, photocells and surge protectors.



FEATURES

- Direct Replacement for 100 Watt – 250 Watt Traditional Style HID Wallpacks
- LED's: Lumileds 3030 2D
- Color Temperature: 4000K & 5000K (other CCT's are available upon request)
- CRI: 70
- Lumen Maintenance: L70 = 50,000 hours (at 25° C)
- Full Cutoff (meets IDA criteria)
- Operating Temperature: -40C (-40F) to 40C (104F)
- Durable All Aluminum Pressure Die Cast Housing
- Long Life Durable Powder Coat Finish (custom/other RAL colors are available upon request)
- IP65 Rated (wet listed)
- Mounting: Wall Surface

ELECTRICAL SPECIFICATIONS

- Power Input 120-277V (347V & 480V optional)
- Drive Currents: 040W = 1050 mA
060W = 1500 mA
080W = 1875 mA
120W = 3000 mA
- Efficacy: 40W = 107.5 lm/W
60W = 101.66 lm/W
80W = 100.00 lm/W
120W = 100.00 lm/W
- Power Factor: > 95%
- THD: < 15%
- Surge Protection: 10 kV (optional)
- Control Options: Button Photocell

TEST & CERTIFICATIONS

- ETL (UL 1598)
- CSA (C22.2 No.250.0)
- RoHS Compliant
- Design Lights Consortium (Standard)



WARRANTY

- 5 - Year warranty (Parts or Replacement)

PERFORMANCE SPECIFICATIONS

Lens Type	Model / Wattage	Lumens	
		4000K	5000K
Type 4	OLTWP - 040	4,300	4,300
	OLTWP - 060	6,100	6,100
	OLTWP - 080	8,000	8,000
	OLTWP - 120	12,000	12,000

Drive Current	Wattage	Drive Current	Wattage	Drive Current	Wattage	Drive Current	Wattage
1050 mA	40	1500 mA	60	1875 mA	80	3000 mA	120
Current (A) @ 120V	0.33	Current (A) @ 120V	0.50	Current (A) @ 120V	0.67	Current (A) @ 120V	1.00
Current (A) @ 208V	0.19	Current (A) @ 208V	0.29	Current (A) @ 208V	0.38	Current (A) @ 208V	0.58
Current (A) @ 240V	0.17	Current (A) @ 240V	0.25	Current (A) @ 240V	0.33	Current (A) @ 240V	0.50
Current (A) @ 277V	0.14	Current (A) @ 277V	0.22	Current (A) @ 277V	0.29	Current (A) @ 277V	0.43
Current (A) @ 347V	0.12	Current (A) @ 347V	0.17	Current (A) @ 347V	0.23	Current (A) @ 347V	0.35
Current (A) @ 480V	0.08	Current (A) @ 480V	0.13	Current (A) @ 480V	0.17	Current (A) @ 480V	0.25



LED Wallpack / Traditional Style

ORDERING INFORMATION

EXAMPLE: OLTWP-060-UNV-50-4-SM-BZ-BP-SP

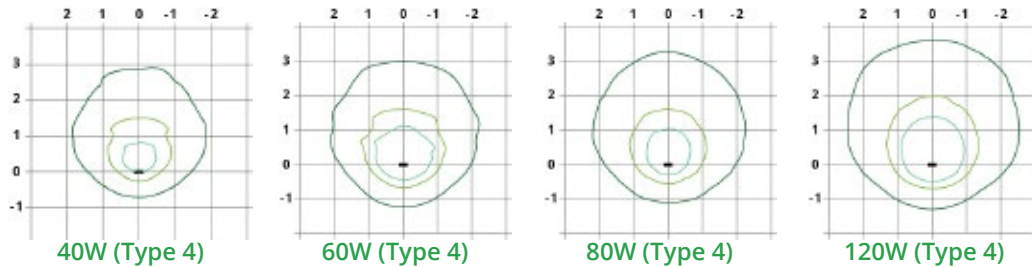
OLTWP							
SERIES	WATTAGE	VOLTAGE	COLOR TEMPERATURE	DISTRIBUTION	MOUNTING	FINISH	CONTROL / OPTIONS
Optec LED Wallpack Traditional Style	040 = 40W (1050 mA) 060 = 60W (1500 mA) 080 = 80W (1875 mA) 120 = 120W (3000 mA)*	UNV = 90-305V 347 = 347V 480 = 480V	40 = 4000K 50 = 5000K	4 = Type 4	SM = Surface Mount	WH = White BZ = DK Bronze BL = Black SL = Silver CC = Custom Color	DM = 0-10V Dim BP = Button Photocell 120-277V SP = 10 kV Surge Protector
* 120 Watt only available in large housing size -see below for dimensions							

PHOTOMETRIC PERFORMANCE

Isofootcandle plots = OLTWP 40W and 60W models in 5000K CCT @ 25' mounting height and OLTWP 80W and 120W models in 5000K CCT @ 35' mounting height. Distances are in units of mounting height.

LEGEND

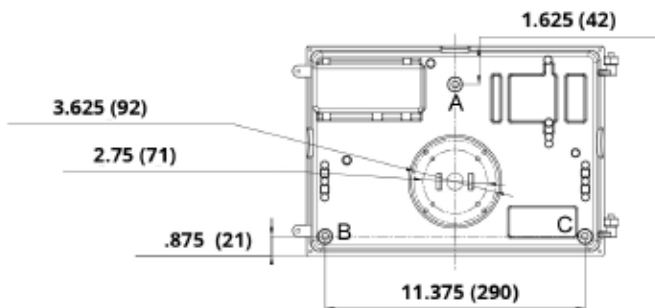
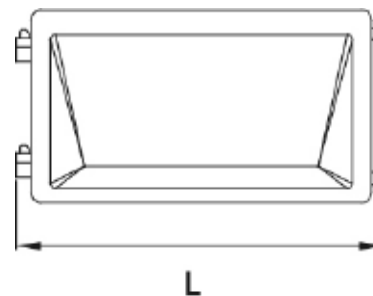
- 0.1 fc
- 0.5 fc
- 1.0 fc
- 5.0 fc



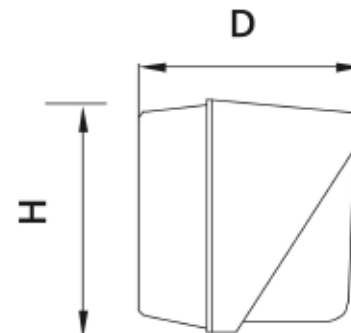
Published luminaire photometric testing performed to IESNA-79-08 standards

DIMENSIONS & WEIGHTS

Wattage	40W, 60W, 80W	120W
Length (in" / mm)	14.2" / 360	18.4" / 468
Height (in" / mm)	9.1" / 232	9.1" / 232
Depth (in" / mm)	7.68" / 195	9.4" / 240
Weight (lbs / kg)	9.92 / 4.5	15.65 / 7.1



Wall Installation Plate
measures: Inch (mm)



measures: Inch (mm)